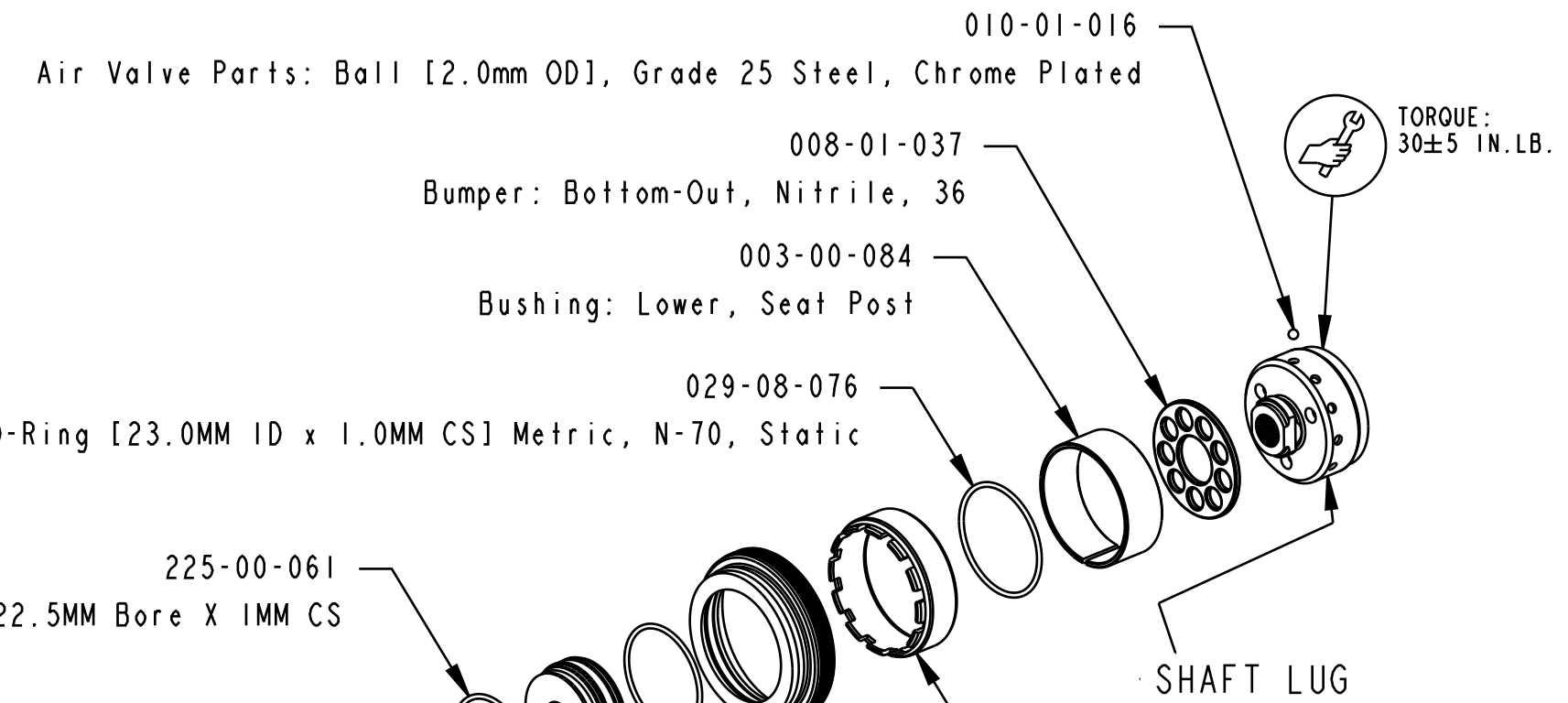
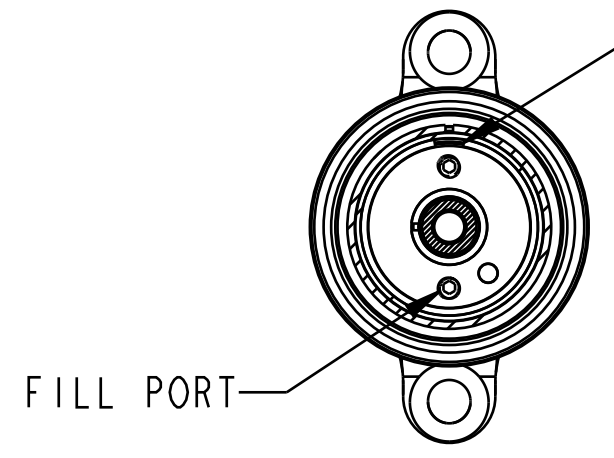


Travel	IFP Pressure	TRAVEL	IFP HEIGHT
4"-6" (100mm-150mm)	275 +/- 10 psi	4" / 100mm	1.99
7" (175mm)	325 +/- 10 psi	5" / 125mm	1.99
		6" / 150mm and 7" / 175mm	1.87

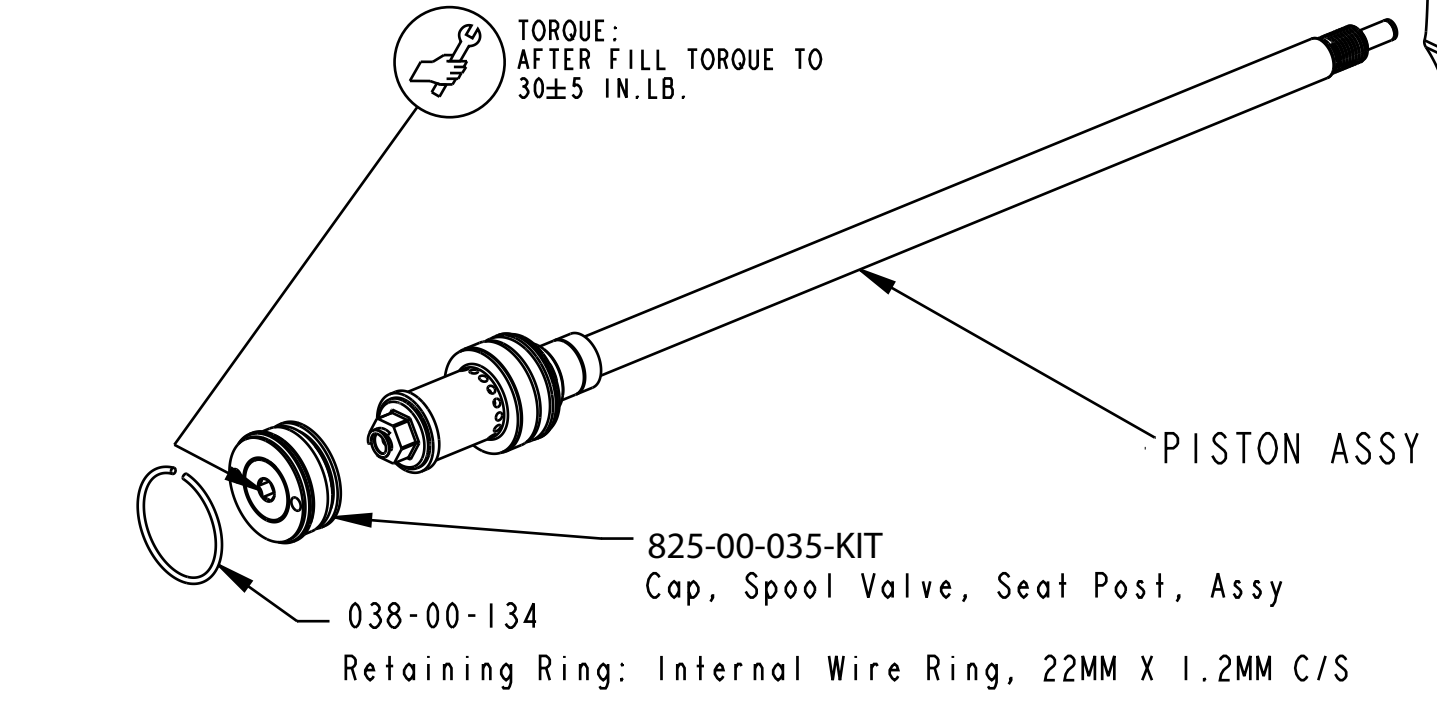
ADD 0.5cc TO 1cc OF FLOAT FLUID TO IFP CHAMBER



SEAL HEAD FILL PORT SHALL BE POSITIONED 90° FROM RETAINING RING SPLIT AFTER INSTALLATION.



TORQUE: AFTER FILL TORQUE TO 30±5 IN.LB.



Retaining Ring: Wire 22.5MM Bore X 1MM CS

SEALHEAD ASSEMBLIES:  
825-03-006-KIT: Seal Head, Seat Post, Assy (100-150mm)  
825-03-007-KIT: Seal Head, Seat Post, CI (175mm)

825-00-036-KIT IFP ASSY, SEAT POST  
100mm-150mm Travels use 038-00-133.  
175mm Travel uses 038-00-176 and 038-00-177.  
(See cross-section above for details)

PROPRIETARY - THIS DOCUMENT CONTAINS CONFIDENTIAL, PROPRIETARY INFORMATION THAT IS FOX PROPERTY. DO NOT DISCLOSE TO OR DUPLICATE FOR OTHERS EXCEPT AS AUTHORIZED BY FOX.

**FOX** FOX Factory, Inc. Ph 831-768-1100  
130 Hangar Way, Watsonville, CA 95076 USA Fax 831-768-9312

TITLE Assy Dwg, Upper Post  
2018+ Transfer

SIZE DWG. NO. C  
PLOT SCALE 0.70:1 SHEET 1 OF 1